

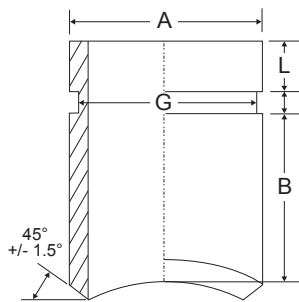


Welded Cut and Roll-Grooved Outlet Fittings

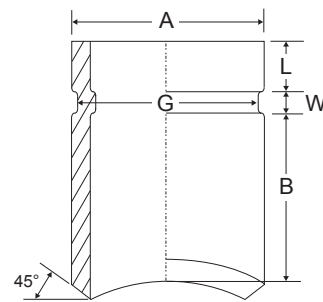
72C & 72R

Technical Features

- **Sizes Available (Nominal) :**
 72C : Pipe run : DN50/2" to DN250/10"
 Outlet : DN50/2" to DN200/8"
 72R : Pipe run : DN32/1 1/4" to DN200/8"
 Outlet : DN32/1 1/4" to DN100/4"
- **Pressure Data :**
 Working Pressure: 21.7 bar (300 psi)*
 * Maximum working pressure based on Sch. 40 steel pipe. For other pipe schedules please contact Viking.
- **Connections :** Weldable inlet and cut and rolled grooved outlet
- **Materials :**
 72C: Sch. 40 Carbon Steel to ASTM A106 or A53
 72R: Sch. 10 Carbon Steel to ASTM A795
- **Specifications :** Meets NFPA 13 requirements



72C



72R

Welded Cut-Grooved Outlet Fitting - 72C

Physical Data

Reference	Outlet Size mm / in	Run Pipe in	A mm / in	B mm / in	L mm / in	W mm / in	G mm / in	Weight Kgs / Lbs	Recommended Hole Sizes		
									Outlet Pipe Actual OD mm / in	Maximum Hole Size mm / in	Hole Saw Diameter mm / in
72C/200200	50 2	2	60.3 2.375	76.2 3.000	15.88 0.625	792 0.312	57.15 2.25	0.45 1.00	60.3 2.375	52.5 2.067	50.0 2.000
72C/200250		2 1/2									
72C/200300		3									
72C/200400		4									
72C/200500		5									
72C/200600800	6 - 8										
72C/250250	65 2 1/2	2 1/2	73.0 2.875	76.2 3.000	15.88 0.625	792 0.312	69.09 2.722	0.73 1.60	73.0 2.875	62.0 2.443	60.0 2 3/8
72C/250300		3									
72C/250400		4									
72C/250500		5									
72C/250600800		6 - 8									
72C/300300	80 3	3	88.9 3.500	76.2 3.000	15.88 0.625	792 0.312	84.94 3.346	0.91 2.00	88.9 3.500	77.9 3.068	75.0 3.000
72C/300400		4									
72C/300500		5									
72C/300600800		6 - 8									
72C/400400	100 4	4	114.3 4.500	101.6 4.000	15.88 0.625	9.53 0.375	110.08 4.337	1.73 3.80	114.3 4.500	102.3 4.026	100.0 3 15/16
72C/400500		5									
72C/400600800		6 - 8									
72C/600600	150 6	6	168.3 6.625	101.6 4.000	15.88 0.625	9.53 0.375	163.96 6.460	3.18 7.00	168.3 6.625	--	--
72C/600800		8									
72C/800800	200 8	8	219.1 8.625	101.6 4.000	19.05 0.750	11.13 0.438	214.40 8.440	4.32 9.50	219.1 8.625	--	--
72C/8001000		10									



Welded Cut and Roll-Grooved Outlet Fittings

72C & 72R

Welded Roll-Grooved Outlet Fitting - 72R									Physical Data		
Reference	Outlet Size mm / in	Run Pipe in	A mm / in	B mm / in	L mm / in	W mm / in	G mm / in	Weight Kgs / Lbs	Recommended Hole Sizes		
									Outlet Pipe Actual OD mm / in	Maximum Hole Size mm / in	Hole Saw Diameter mm / in
72R/125125150	32 1 1/4	1 1/4 - 1 1/2	42.2 1.660	63.5 2.500	15.88 0.625	7.14 0.281	38.99 1.535	0.21 1.46	42.2 1.660	36.6 1.442	35.0 1 3/8
72R/125200											
72R/125250											
72R/125300											
72R/125400											
72R/125500											
72R/125600800	40 1 1/2	6 - 8	48.3 1.900	63.5 2.500	15.88 0.625	7.14 0.281	45.09 1.775	0.24 0.53	48.3 1.900	42.7 1.682	40.0 1 9/16
72R/150150											
72R/150200											
72R/150250											
72R/150300											
72R/150400											
72R/150500	50 2	5	60.3 2.375	76.2 3.000	15.88 0.625	8.74 0.344	57.15 2.250	0.41 0.90	60.3 2.375	54.8 2.157	52.0 2 1/8
72R/150600800											
72R/200200											
72R/200250											
72R/200300											
72R/200400											
72R/200500	65 2 1/2 (76.0 OD)	5	76.1 3.000	76.2 3.000	15.88 0.625	8.74 0.344	72.26 2.845	0.64 1.41	76.1 3.000	70.0 2.750	68.0 2 11/16
72R/200600800											
72R/250250											
72R/250300											
72R/250400											
72R/250500											
72R/250600800	80 3	6 - 8	88.9 3.500	76.2 3.000	15.88 0.625	8.74 0.344	84.94 3.440	0.77 1.69	88.9 3.500	82.8 3.260	80.0 3 3/16
72R/300300											
72R/300400											
72R/300500											
72R/300600800											
72R/400400		100 4									
72R/400500											
72R/400600800											